



# uArm Metal Getting Started Guide

---

2016-12



**UFACTORY**

UFACTORY TECHNOLOGY CO., LTD | NANSHAN DISTRICT, SHENZHEN, P. R. CHINA  
WWW.UFACTORY.CC

---

## Contents

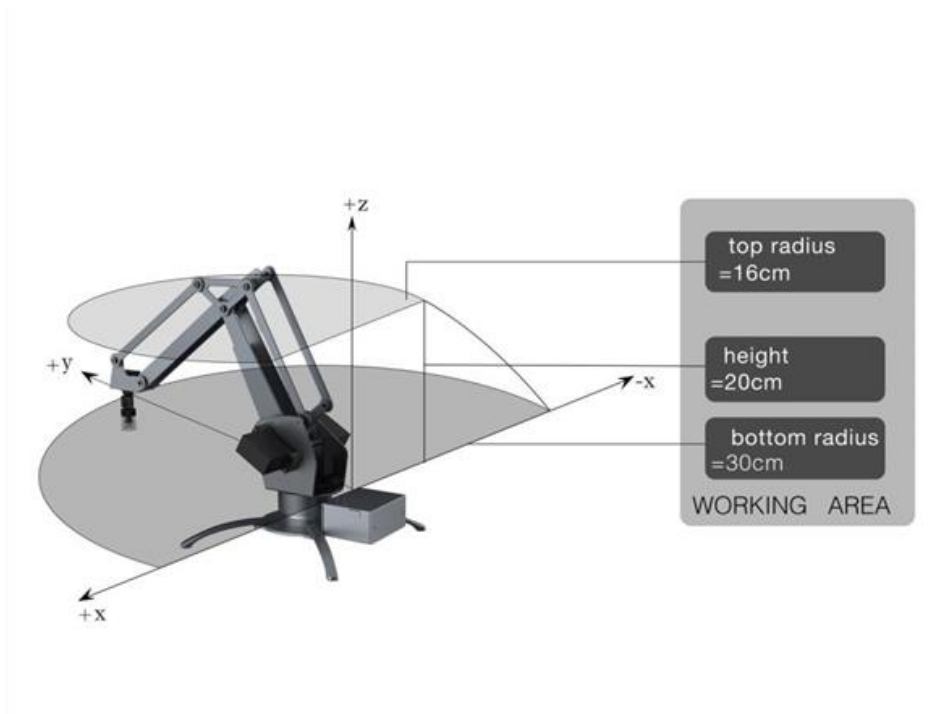
1. Safety Instructions.....	2
2. uArm Metal Parts List.....	3
3. Assembly Instructions.....	4
3.1 Install the 4 foot brackets.....	4
3.2 Install the Pump.....	4
3.3 Attach the Cable and the Pipe.....	5
4. Operation Instructions.....	6
4.1 Power On.....	6
4.2 Connect uArm to computer with USB.....	6
4.3 Install uAmAssistant.....	6
4.4 Control uArm via uClient.....	8
4.5 Learning mode of uArm Metal.....	12
5. uArm Community.....	13

## 1. Safety Instructions

Please don't put your hands in the highlighted area.



When uArm is moving, please ensure that nothing that may get hurt or broken is within uArm's moving range.



## 2. uArm Metal Parts List



### uArm Metal Packing List (Standard Kit)

uArm Metal Body \*1



Pump \*1  
(with 2 screws)



Foot brackets \*4  
(with 8 screws)



USB Cable \*1



AC Cable \*1



Power Adapter \*1



Foot Sucker \*4



Screw Driver \*1



WWW.UFACTORY.CC

### 3. Assembly Instructions

#### 3.1 Install the 4 foot brackets.

( Please be aware the screws should be inserted from the bottom to top.)



#### 3.2 Install the Pump

(Insert 2 screws to install the pump.)



### 3.3 Attach the Cable and the Pipe.



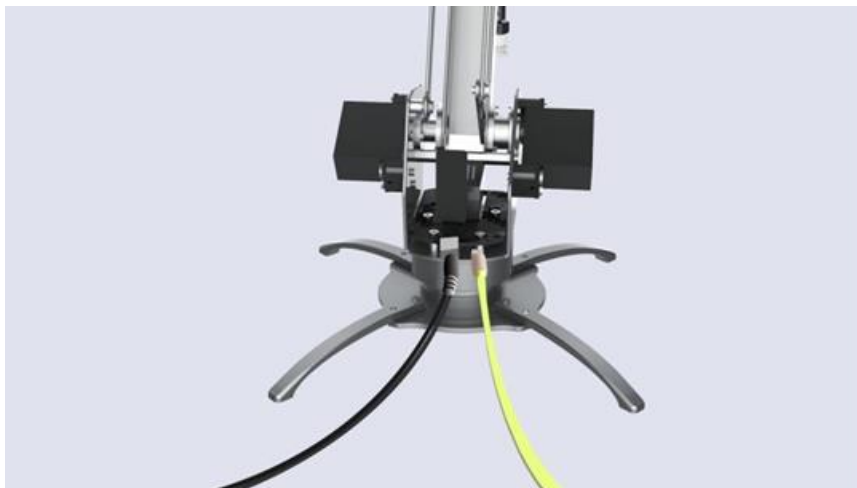
## 4. Operation Instructions

### 4.1 Power On



((If the RED light is on, the uArm is powered.))

### 4.2 Connect uArm to computer with USB.



### 4.3 Install uAmAssistant

This process requires a network connection;

uArmAssistant functions:

- 1、 Install driver automatically;

- 2、 Upgrade to latest firmware;
- 3、 \*Re-calibration (This function is limited to the purchase of uArm users before April 2016, after April 2016, the user does not have calibration problems, DO NOT DO THIS STEP.)

Run uarmAssistant as Administrator:

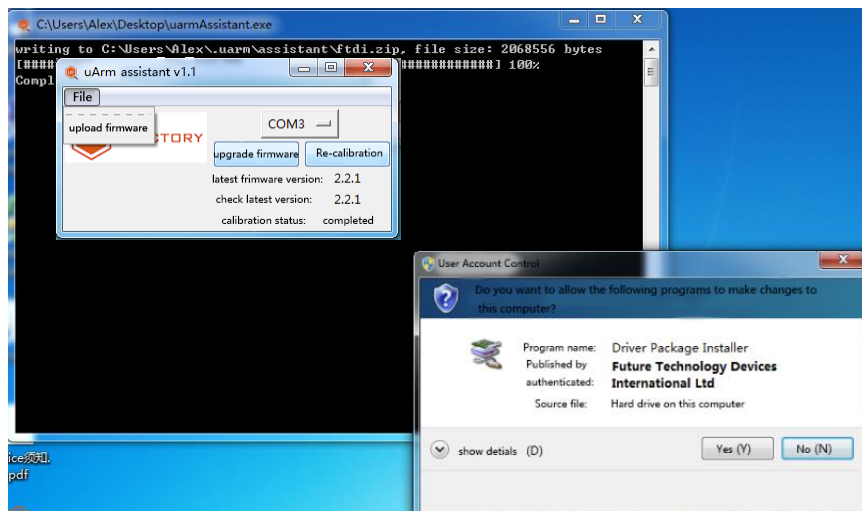
名称	修改日期	类型	大小
home	2016/11/29 12:55	快捷方式	2 KB
Notice须知.pdf	2016/11/30 11:10	Adobe Acrobat ...	1,385 KB
uarmAssistant.exe	2016/11/30 12:24	应用程序	9,661 KB

(Read Notice.pdf before run uarmAssistant.exe and run as Administrator)

Install driver Online:

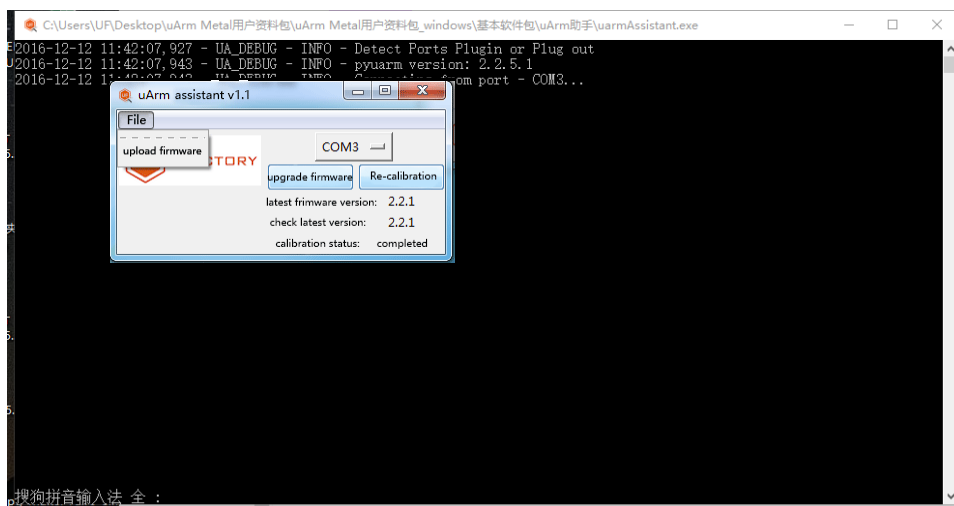


Install driver automatically:

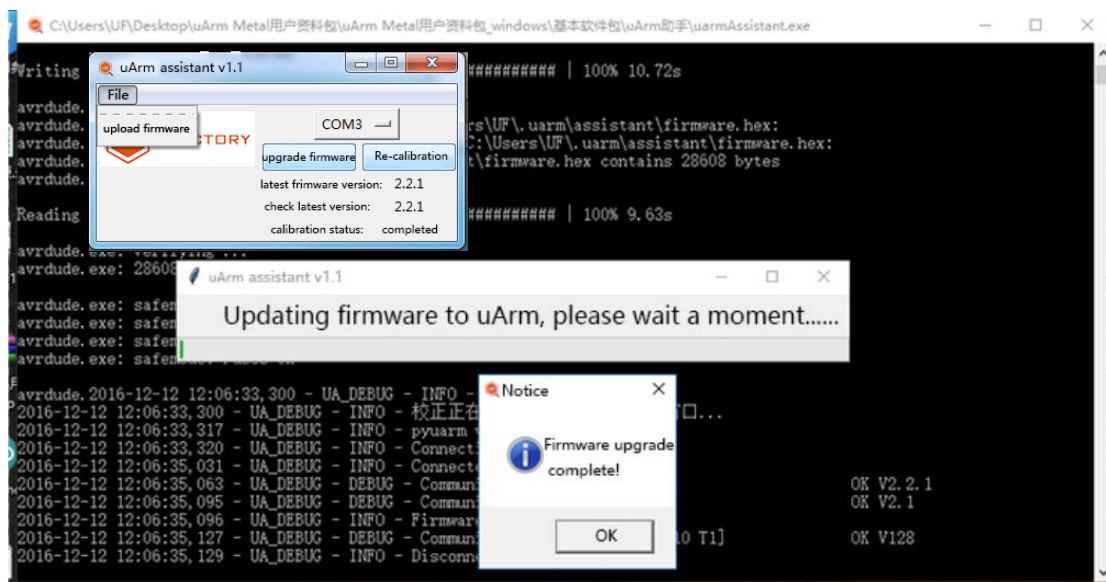


Upgrade to latest firmware:



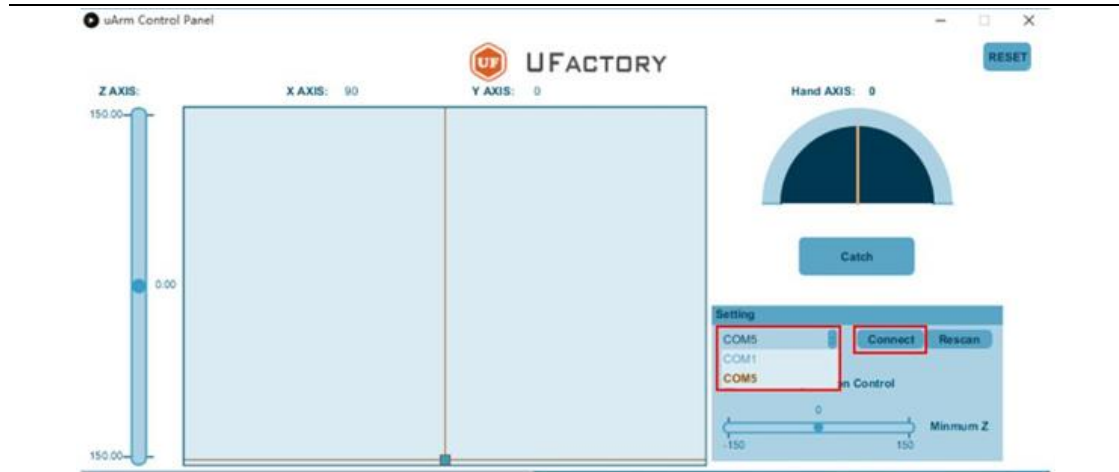


Tips will remind that Upgrade latest firmware successfully:



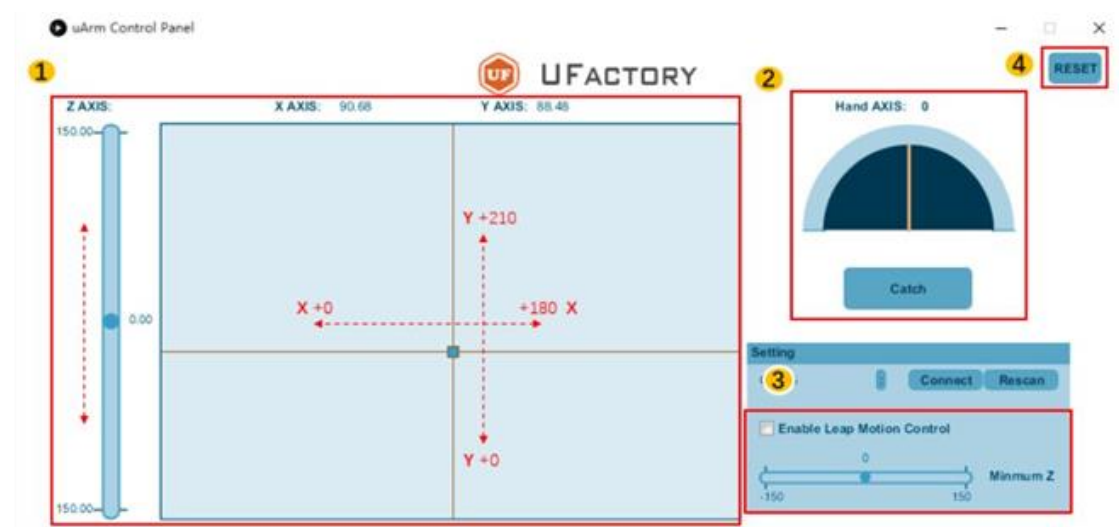
#### 4.4 Control uArm via uClient

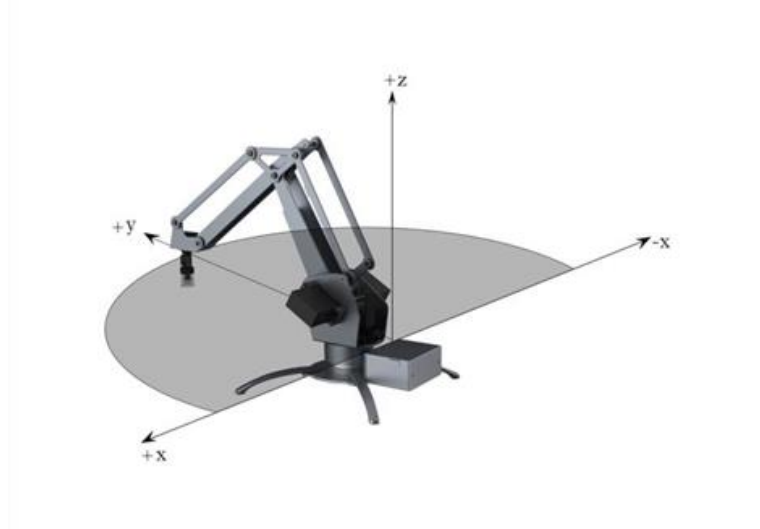
**Step 1 – Select the right COM and Click Connect**



- COM No. for uArm may vary
- Click *Rescan* if uClient does not detect the COM for uArm.
- If there are blue lights flashing, uArm is connected with uClient, and you don't need to click *Connect* again.

### Step 2 – Familiarize with uClient





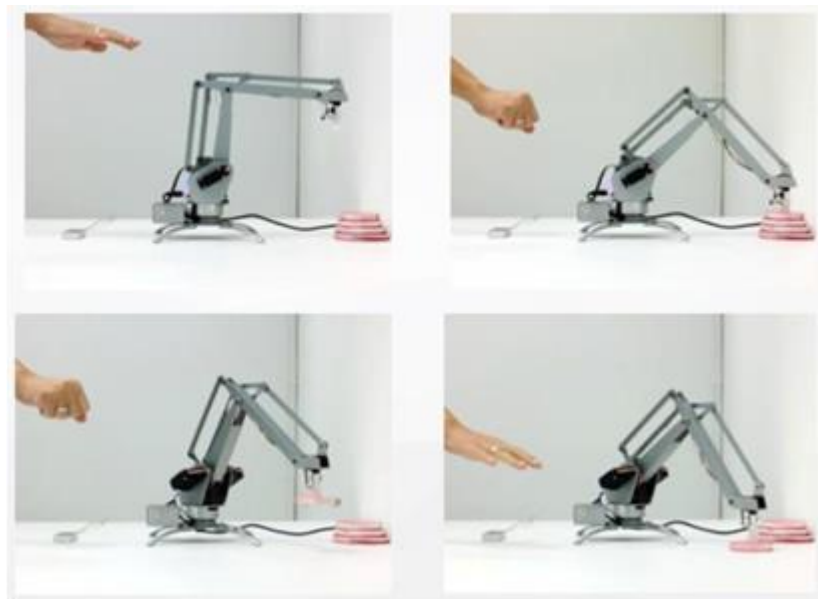
**Area 1:** Control uArm movement along X, Y, Z Axis.

**Area 2:** Control the end-effector (Suction Cup/Gripper/Universal Holder)

- You may rotate the suction cup from 0° to 180° by moving the yellow line. Rotation does not apply to Gripper or Universal Holder.
- Click *Catch/Release* to pick/release (for suction cup) or *grab/release* (for gripper). *Catch/Release* does not apply to Universal Holder

**Area 3:** Leap Motion Control (alternative to mouse control)

IF you have a Leap Motion Controller, you may control uArm in this way.



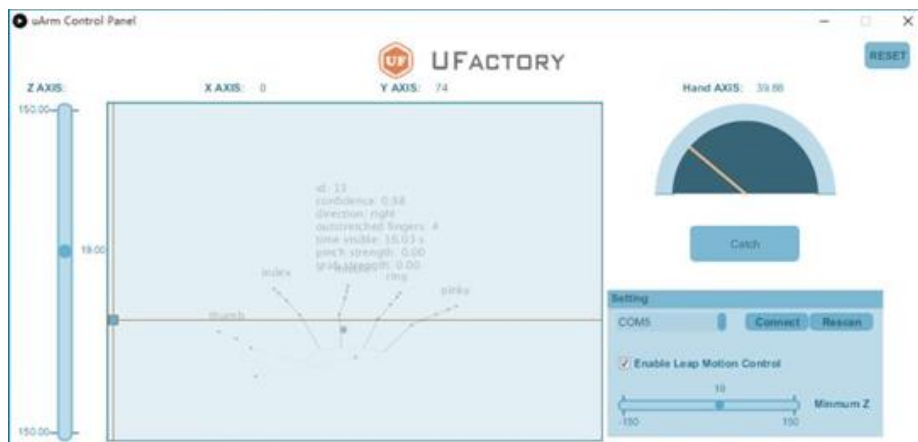
To enable Leap Motion Control, please:

- Connect Leap Motion Controller to PC, and tick the box in uClient
- Place the Leap Motion Controller in a way that you are facing the flashing GREEN light



- Ensure that you have downloaded Leap Motion APP (for PC)
- Leap Motion is activated when the uClient interface displays the following:

(You may change the minimum Z value of Leap Motion Control.)



**Area 4:** You may reset uArm to the default position.

## 4.5 Learning mode of uArm Metal

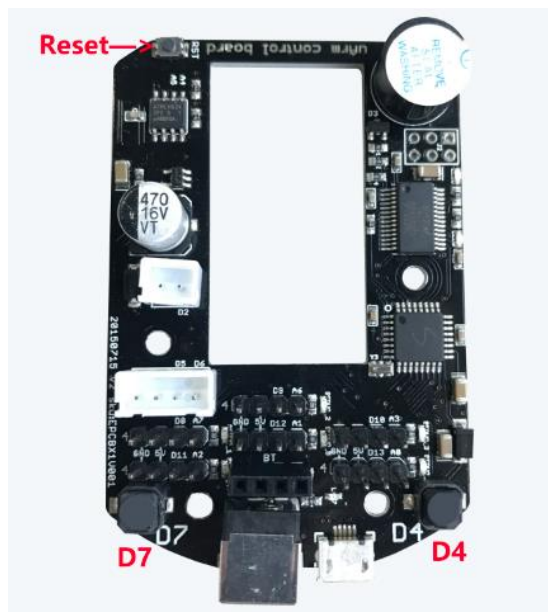
The Firmware over version 2.2.1, which combines the learning mode (recording mode) that allows uArm Metal to be operated in a learning mode. It is only need the power supply connected.

Notice:

- 1、 uArm Metal's learning mode does not exceed 5 minutes, please record the total length of time within 5 minutes of action.
- 2、 Learning mode can not simultaneously connect the USB cable for serial communication, do not at the same time, easy to damage the mainboard.

How to use Learning mode?

- 1、 First need to know a few buttons about the mainboard: Reset、 D4、 D7.



- 2、 Start learning mode / recording mode

Enter learning mode: D4

In learning mode,switch pump on and off: D7

Ends the learning mode: D4

- 3、 Play the learning / recording process

Single Play: D7

Repeat playback: D7 (Long press 3 seconds and release)

Pause / resume playback: D7

Reset: Reset

## 5. uArm Community

Welcome to the uArm Community! Now, you can explore uArm with the world of robot enthusiasts, Makers, artists and scientists!

**Official Website:**

<https://www.ufactory.cc/>

**Official Forum:**

<https://forum.ufactory.cc/>

**Official WeChat Account:**



**Official Media:**



More Help?

[【Contact Us】](#)