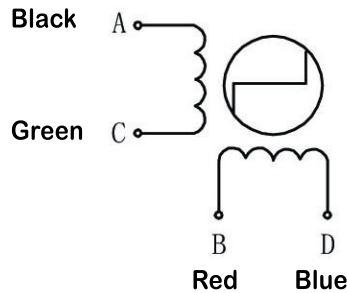


Nema 11 Hybrid Stepper Motor

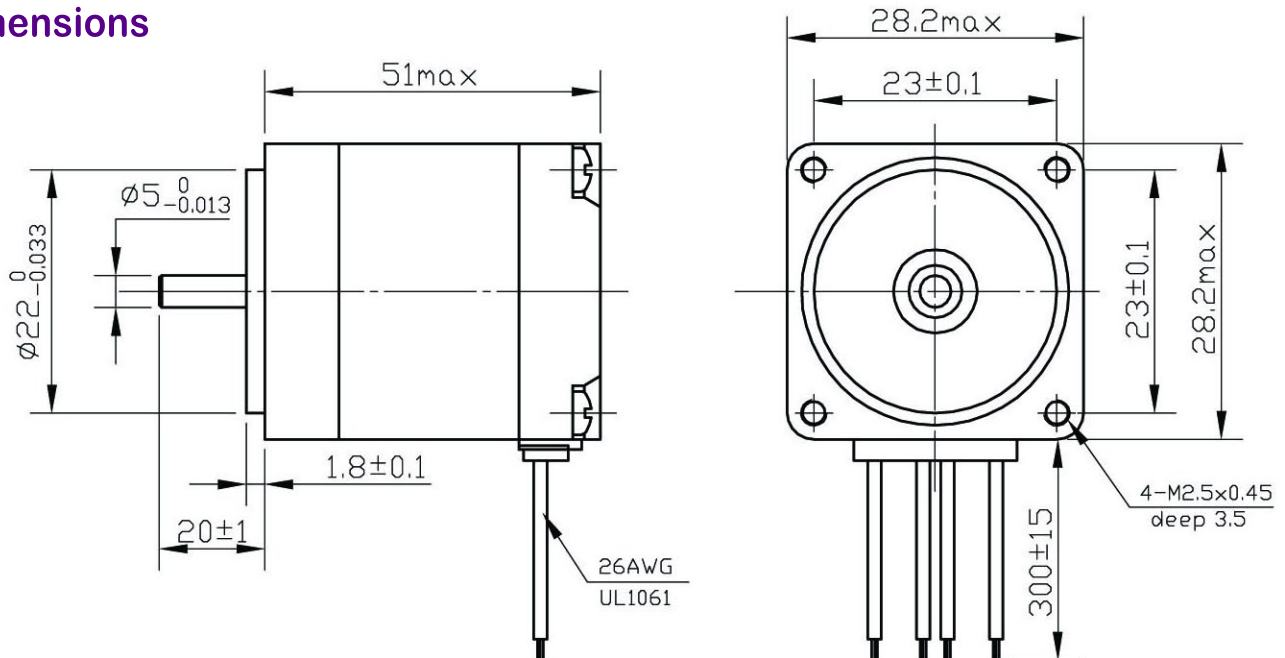
1.8 degree Step Angle

Wiring Diagram



RAMPS Wiring:
Red - Blue - Green - Black

Dimensions



Electrical Specifications

STEP ANGLE	1.8	° /STEP
RATED VOLTAGE	8.04	V
CURRENT	0.67	A/PHASE
RESISTANCE	12	Ω /PHASE
INDUCTANCE	7.2	mH/PHASE
HOLDING TORQUE	1200	g. cm
INSULATION CLASS	B	



BilbyCNC.com.au
+61 2 4403 0326
452 Wyndham Lane,
Kanoona, NSW, 2550
Australia

This datasheet prepared from
Manufacturer's Data.
11th April 2012

Prod Code	PtNema11
Units	mm